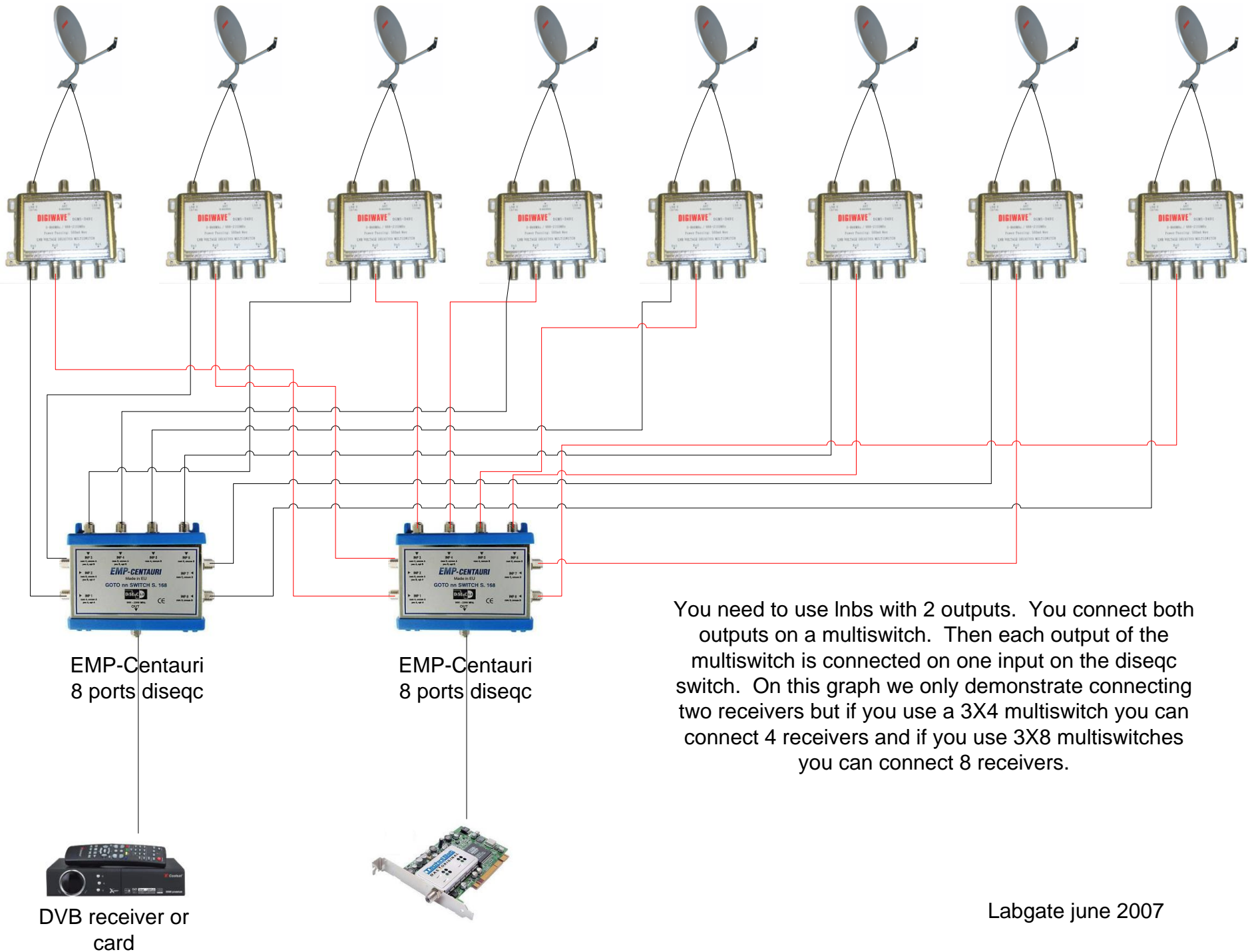


# 8 sats and 4 receivers



You need to use Inbs with 2 outputs. You connect both outputs on a multiswitch. Then each output of the multiswitch is connected on one input on the diseqc switch. On this graph we only demonstrate connecting two receivers but if you use a 3X4 multiswitch you can connect 4 receivers and if you use 3X8 multiswitches you can connect 8 receivers.